

HARDWARE / SPECIFICATIONS / FEATURES / ACCESSORIES

Large Premium Console



Compact Premium Console



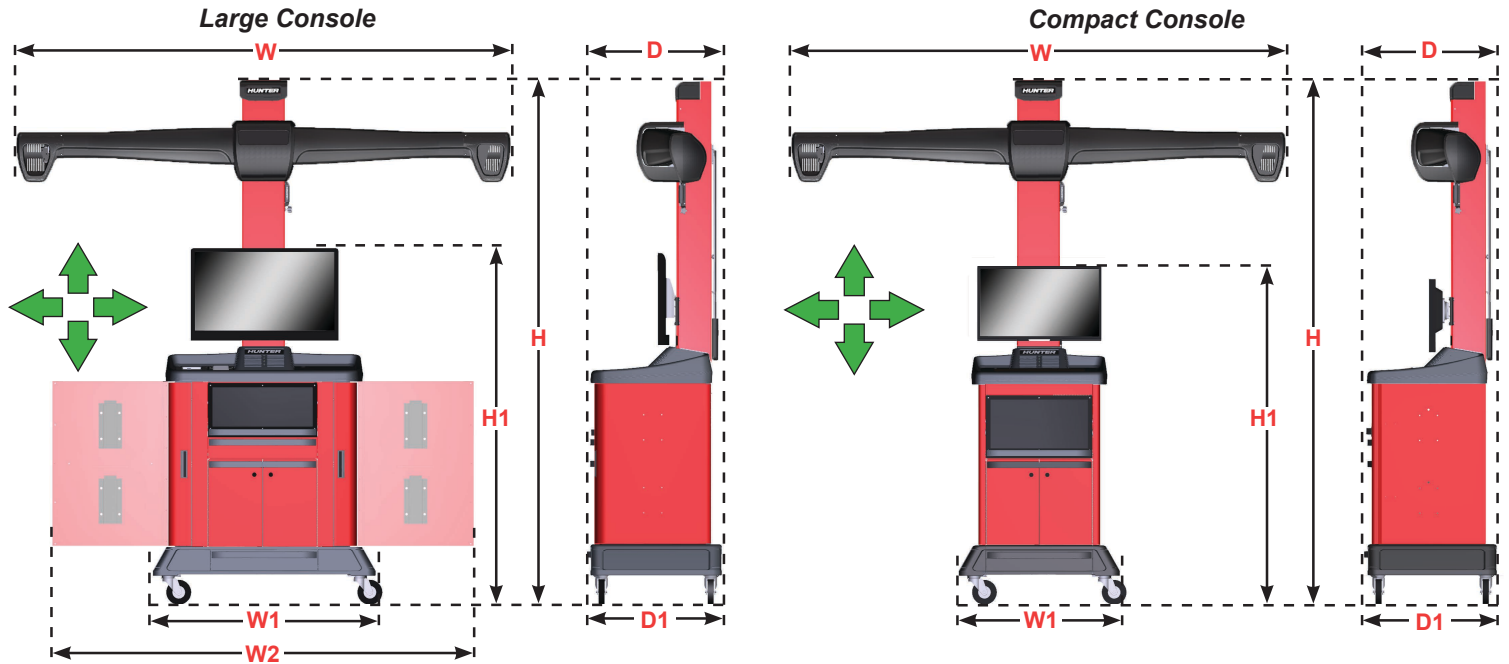
Power Requirements	115/230V, 15 amp*, 50/60 Hz, 1 ph †
Processor	Intel® Core™ i3 - 3.1Ghz (or greater)
Memory	4 GB of DDR3 SDRAM
Hard Drive	120.0 GB SSD (or greater)
DVD-RW/CD-RW Drive	Yes - Standard
Monitor Class	24" Widescreen or 27" Widescreen LCD (32" available on large console)
Wireless Network Module	Yes - Standard
Operating System	Windows® 7
Supports TD Targets	Yes - Standard
Supports HD Targets	Yes - Standard
Console-top Storage and Charging	Yes - Standard
Color Ink Jet Printer	Yes - Standard
Award-Winning WinAlign® Software	Yes - Standard
Vehicle Specifications (30 plus years)	Yes - Standard - 2 Years Free Updates
CodeLink® Steering System Reset	Yes - Standard
VIN Barcode Reader	Yes - Standard
Complete TPMS Reset Database	Yes - Standard
Live Ride Height Adjustment	Yes - Standard
Fully Integrated Alignment	Yes (FIA Equipped Rack Required)
Modified Vehicle Alignment	Yes - Standard with WinAlign Tuner™
Vehicle Inspection with Photos	Yes - Standard
Tools and Kits - Basic Catalog	Yes - Standard
Tools and Kits - Video and Photos	Yes - Standard
Equipment Video Help / Assistance	Yes - Standard
HunterNet featuring WebSpecs®	Yes - 2 Years Free Standard
Training and Productivity Aids	4,000+ Photos, 1,600+ Illustrations, 400+ Videos and Animations
Supports TouchRemote	Yes - Standard
Steering Wheel Holder	Yes - Standard
Brake Pedal Depressor	Yes - Standard
Wireless Remote	Yes - Standard
Power Line Filter	Yes - Standard
Drive-on Camera Compatible	Yes - Standard
Internet Connection	Ethernet cable recommended

* Amperage shown is minimal circuit rating † Isolated Ground Recommended

Continued on Reverse



CONSOLE CONFIGURATIONS



Space consideration for storage of accessories: For large and compact consoles, add 10 inches to depth for accessories. For large and compact consoles, add 29 inches to width for TD targets and add 10 inches to depth for rear accessory storage.

	WA48X-CM	WA47X-CM
Large Premium Console-top Storage/Charging, Storage Drawers	☑	
Compact Premium Console-top Storage/Charging, Printer Drawer		☑
LCD Monitor With Swivel Mount Support*	24 in. / 27 in. / 32 in. Wide-screen	24 in. / 27 in. Wide-screen
Width (W)	105 in. 2667 mm	105 in. 2667 mm
Height (H)	108 in. 2743 mm	108 in. 2743 mm
Depth (D)	25 in. 635 mm	25 in. 635 mm
Cabinet Width (W1)	43 in. 1092 mm	32 in. 813 mm
Cabinet Width (W2) Side Storage Doors Open	79.5 in. 2019 mm	-
Cabinet Height (H1)	67.5 - 75.5 in. 1715 - 1918 mm	65 - 71 in. 1651 - 1803 mm
Cabinet Depth (D1)	25 in. 635 mm	25 in. 635 mm
Shipping Weight	550 lbs. 249 kg	460 lbs. 209 kg

*Swivel mount support not available for 32" monitor

	HE421CM
Sensor Mount Type	Manually Adjustable Mobile Cabinet Mount
Power Requirements	Supplied by console
TD Targets	☑
QuickGrip Adaptors	☑
Vertical Camera Adjustment	☑
Mobile - Bay-to-Bay	☑
QuickComp	☑
High Resolution Cameras	☑
Customizable Lighted Sign	☑
FIA Compatible	☑
Multiple Target Storage Configurations	☑

Because of continuing technological advancements, specifications, models and options are subject to change without notice.

For aligner information visit:
www.hunter.com/alignment

For local contact visit:
www.hunter.com/company/findrep.cfm

For general inquiries visit:
www.hunter.com or call 800-448-6848

Continued on Page 3

SPECIFICATIONS / ADJUSTMENTS / MEASUREMENTS



SPECIFICATIONS	
Metal on Metal Contact	Non-Contact
Weight of Target	6 lbs
Profile of Target	9 in.
Installation Time	5 seconds
Rolling Compensation Style	Forward
Camera Resolution	2,608 x 1,952 20,000,000 px
Track Width	80 in.
Wheel Base	210 in.
Distance to Wall	66 - 107 in.
Suggested Distance	99 in.
Short Bay Distance (see site info)	66 in.

ADJUSTMENTS	
Way Up Way Out WinToe	✓*
Wheel-Off Adjustment (WinAlign® 9 & Up)	Optional

MEASUREMENTS	
S.A.I. & Included Angle	✓
Set Back	✓
Max Steering Angle	To Lock*
Live Ride Height	Standard **
Wheelbase Difference	✓
Track Width Difference	✓
Tread Width Difference	✓
Lateral Offset	✓
Rear Set Back	✓
Axle Offset	✓
SBDA	✓**
Body Angle	✓**
Body Wheel Offset & Setback	✓**
Body Roll	✓**

* Requires standard wide-angle target extensions.

** Requires Ride Height targets. Standard with WA400 consoles. Optional with WA300 consoles.

HE421CM sensors are compatible with WA48X and WA47X cabinets with WinAlign version 14.1 software only.

INCLUDED WITH ALL HE421 SENSORS

Wide-Angle Targets



Quick-Change Arms



Deep-Wheel Extensions



Target Storage Brackets



Protective Rings for Deep Wheel Extensions



Protective Rings for Quick-Grip Adaptors



TD Targets



QuickGrip Adaptors

