



Power Train Lifts

2,500 lb. Capacity Power Train Lift

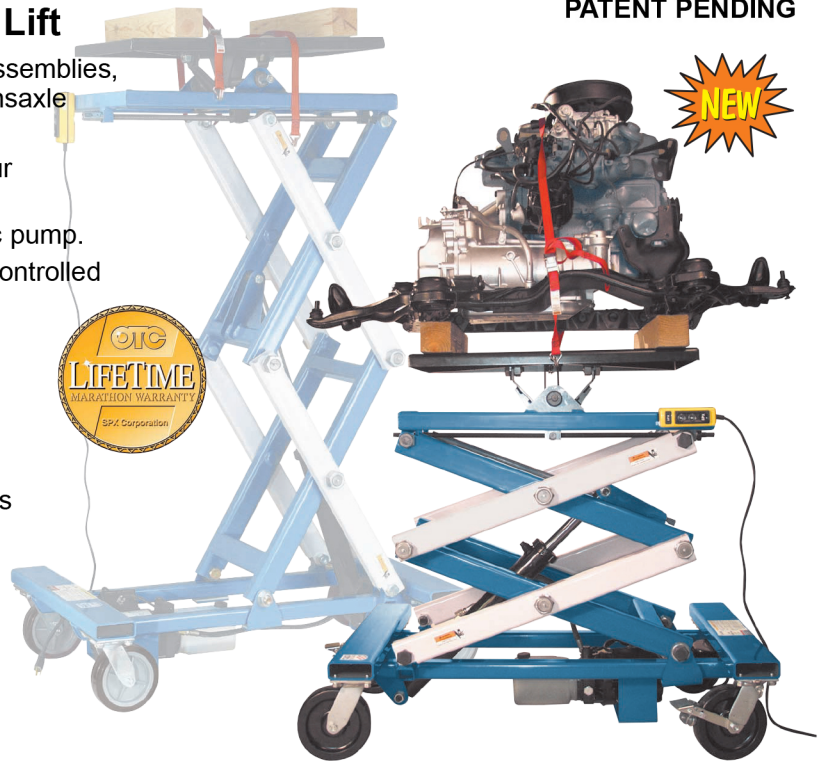
This lift will handle engine and transmission assemblies, gas tanks, drive axle assemblies, engine / transaxle assemblies, electric bus batteries, and more.

- Scissors-type design allows access to all four sides of a component.
- Powered by a quiet, 110V electric / hydraulic pump.
- Smooth, steady lifting and lowering motion controlled by hand-held remote.
- Two patent pending independent adjusting screws tilt the table $\pm 15^\circ$ side-to-side, or fore-and-aft, and ensure maximum stability of the table in any position.
- Larger casters accommodate heavy loads.
- A 30 ft. long retractable extension cord reel is mounted to the frame.

No. 1595 – 2,500 lb. capacity power train lift



unit shown folded



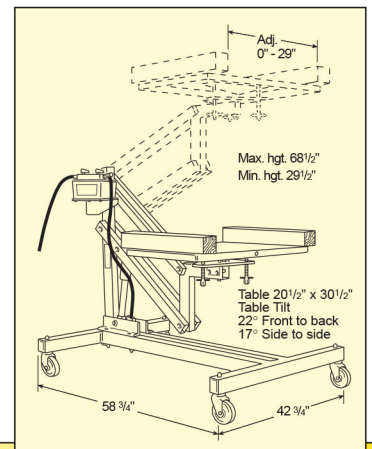
PATENT PENDING

SPECIFICATIONS								
Rated Load	Power	Min. Height	Max. Height	Footprint	Table Dimension	Handheld Control	Casters	Table Tilt
2500 lbs.	110 VAC	29"	80"	31" Wide 50" Long	20" Wide 32" Long	2 Button 10' Cord	8" Swivel	$\pm 15^\circ$

1,250 lb. Capacity Power Train Lift

- Compact design and swivel casters for easy maneuverability.
- Tilts, 22° front-to-back, 17° side-to-side.
- Height range is 29-1/2" to 68-1/2".
- Table size is 20-1/2" x 30-1/2".

No. 1585 – Power train lift with tilting plate



SPECIFICATIONS						
Rated Load	Power	Min. Height	Max. Height	Footprint	Table Dimension	Table Tilt
1250 lbs.	Shop Air	29-1/2"	68-1/2"	42-3/4" 58-3/4"	20-1/2" 30-1/2"	22° front/back 17° side/side

Contact your Rotunda area Sales Manager or your Field Service Engineer

1-800-ROTUNDA www.OneRotunda.com