

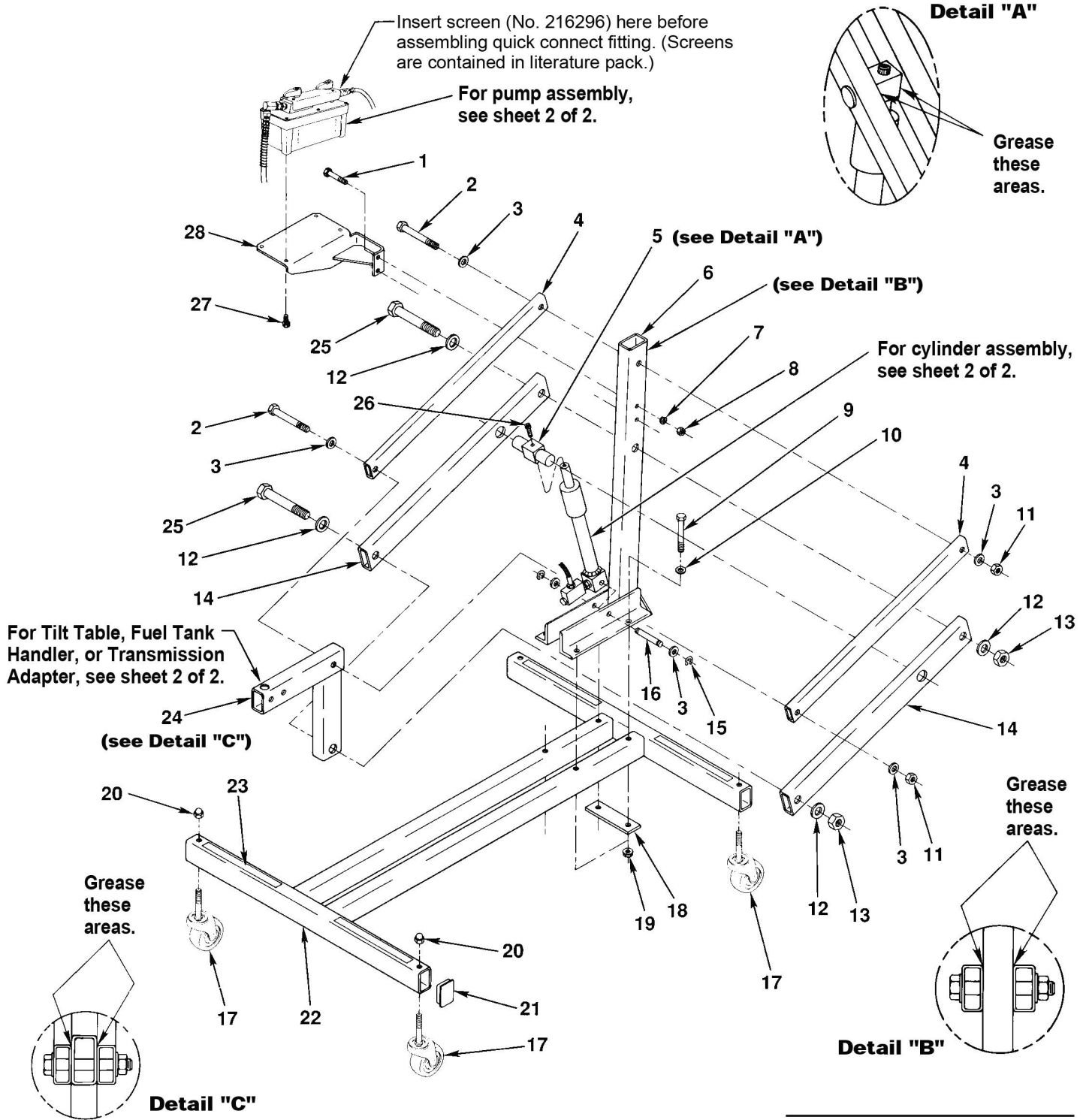
Contact your Rotunda area Sales Manager
or your Field Service Engineer

Parts List for:

1585
1586
1587
61933

1-800-ROTUNDA www.OneRotunda.com

Power Train Lift

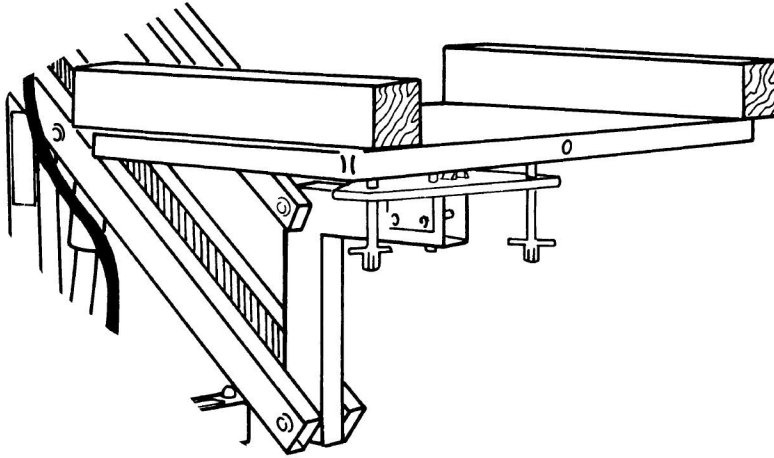
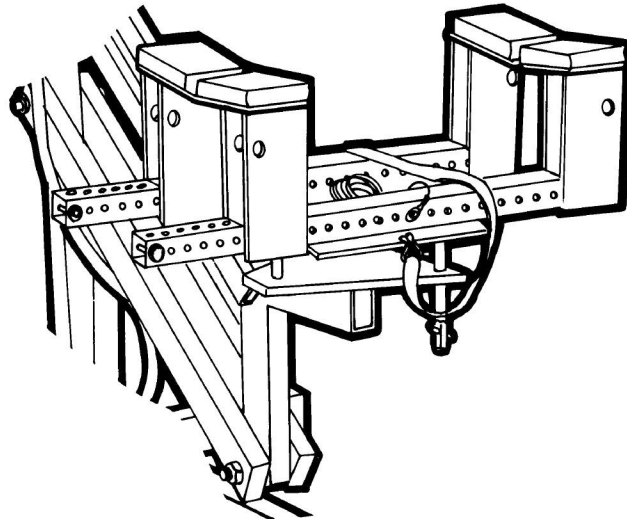
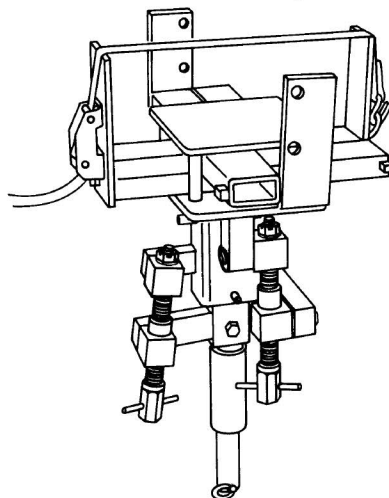


Item No.	Part No.	No. Req.	Description
1	13201	2	Cap Screw <i>(3/8-16 x 2-3/4" lg.)</i>
2	10983	2	Cap Screw <i>(5/8-11 x 5-1/2" lg.; Grade 8)</i>
3	13324	6	Washer <i>(for 5/8" bolt)</i>
4	215214	2	Tube
5	215215	1	Swivel
6	53345	1	Mast
7	10247	2	Lockwasher <i>(for 3/8" bolt)</i>
8	10204	2	Nut <i>(3/8-16)</i>
9	207514	4	Cap Screw <i>(7/16-14 x 4-1/2" lg.)</i>
10	10232	4	Washer <i>(for 7/16" bolt)</i>
11	216432	2	Locknut <i>(5/8-11)</i>
12	212434	4	Washer <i>(for 7/8" bolt)</i>
13	216433	2	Locknut <i>(7/8-9)</i>
14	308873	2	Tube
15	11901	2	Retaining Ring <i>(for 5/8" shaft)</i>
16	308877	1	Pivot Pin
17	215222	4	Caster
18	213026	1	Plate
19	15603	4	Flange Nut <i>(7/16-14)</i>
20	10110	4	Acorn Nut <i>(1/2-20)</i>
21	215224	4	Tube Cap
22	53344	1	Base
23	215223	4 ft.	Non-skid Adhesive Strip <i>(apply 1 ft. strip to each leg)</i>
24	308874	1	Tee
25	216431	2	Cap Screw <i>(7/8-9 x 6-1/2" lg.; Grade 8)</i>
26	10948	1	Cap Screw <i>(5/16-18 x 1-1/2" lg.; Torque to 350–400 in. lbs.)</i>
27	211060	4	Thread-forming Plastic Screw
28	53346	1	Pump Bracket
Parts Included but not Shown			
	215225	1	Warning Decal
	304710	2	Trade Name Decal
	216703	1	Made in USA Decal
	217825	1	Danger Decal

Refer to any operating instructions included with the product for detailed information about operation, testing, disassembly, reassembly, and preventive maintenance.

Items found in this parts list have been carefully tested and selected by OTC. **Therefore: Use only genuine OTC replacement parts.**

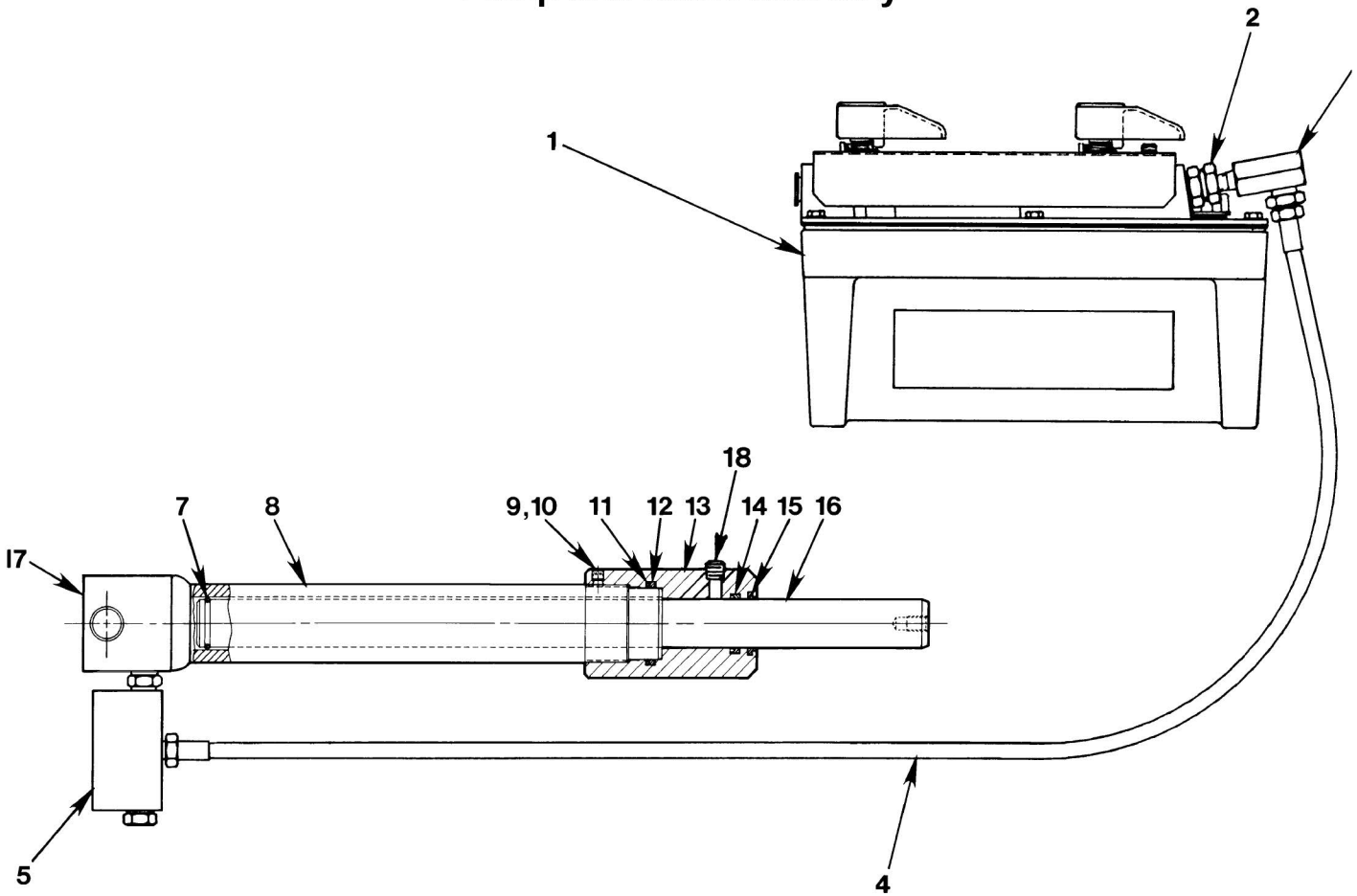
Additional questions can be directed to our Technical Service Dept.

No. 47704 Tilt Table Assembly*(see Form No. 102579 for parts breakdown)***No. 62339 Fuel Tank Handler***(see Form No. 102700 for parts breakdown)***No. 215324 Universal Transmission Adapter Assembly***(see Form No. 102574 for parts breakdown)*

Sheet No. 2 of 2

Issue Date: 7-17-01 Rev B

Pump and Ram Assembly



Item No.	Part No.	No. Req'd	Description
1	53334	1	Pump (see Form #100718)
2	10469	1	Straight Fitting
3	10470	1	90° Elbow Fitting
4	36891	1	Hose
5	28824	1	Flow Control
7	16072	1	External Retaining Ring
8	440106	1	Cylinder End
9	* 15528	1	Nylon Ball (3/16" dia.)
10	* 10136	1	Set Screw (1/4-20 x 1/4 lg.; torque to 50/70 in. lbs.)

Item No.	Part No.	No. Req'd	Description
11	* 19144	1	Backup Washer (1-3/4 x 1-1/2 x 1/16, -222)
12	* 10282	1	O-ring (1-3/4 x 1-1/2 x 1/8, -222)
13	47527	1	Cylinder Cap
14	* 14527	1	U-cup
15	* 15514	1	Rod Wiper
16	308881	1	Rod
17	47526	1	Cylinder Assembly (consists of Items 7-16)
18	11084	1	Plug (1/16 NPTF)

Part numbers marked with an asterisk (*) are contained in Repair Kit No. 300496.

Bleeding the Hydraulic System: Air can accumulate in the hydraulic system, causing the ram to respond slowly or in an unstable manner. To remove the air:

1. Fully retract piston rod (Item #16).
2. Remove the bleed plug (#18).
3. Run pump to slowly extend the piston rod until oil starts to flow out the bleed hole.
4. Install the bleed plug again.
5. Check the oil level in the reservoir, and add oil if needed.