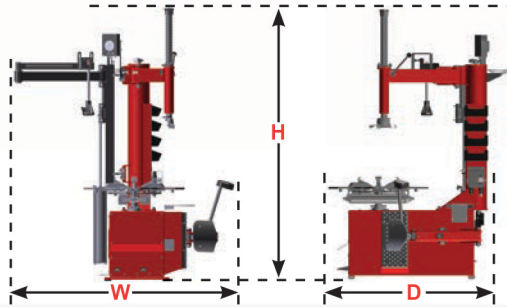


SITE REQUIREMENTS



	TCX575 & TCX565	TCX53	TCX51	TCX50
Power Requirements Electric Motor	208-230V, 6A, 60Hz, 1 ph NEMA L6-20P	110V, 14A, 60Hz, 1ph, NEMA 5-15P	220V, 10A, 60Hz, 1ph, NEMA L6-20P	110V, 14A, 60Hz, 1ph, NEMA 5-15P
Air Supply Requirements	110-145 psi (8-10 bar)	110-145 psi (8-10 bar) Air Motor - 14 CFM	110-145 psi (8-10 bar) Air Motor - 14 CFM	110-145 psi (8-10 bar) Air Motor - 14 CFM
Shipping Weight	1,056 lbs (479 kg)	850 lbs (386 kg)	810 lbs (367 kg)	680 lbs (308 kg)
Shipping Weight w/Wheel Lift	1,137 lbs (516 kg)	936 lbs (425 kg)	896 lbs (406 kg)	766 lbs (347 kg)
Width (W)	60 in. (1,524 mm)	52 in. (1,626mm)	52 in. (1,626 mm)	34 in. (914 mm)
Height (H)	82 in. (2,083 mm)	82 in. (2,032 mm)	82 in. (2,032 mm)	82 in. (2,032 mm)
Depth (D)	48 in. (1,219 mm)*	47 in. (1,194 mm)*	47 in. (1,194 mm)*	47 in. (1,194 mm)*

* Add 14 in. to depth for wheel lift



KEY SPECIFICATIONS

	TCX575 & TCX565	TCX53	TCX51	TCX50
Mount / Demount Tool	Leverless Mount Head w / protection OR Standard Mount Head w / protection	Leverless Mount Head w / protection OR Standard Mount Head w / protection	Leverless Mount Head w / protection OR Standard Mount Head w / protection	Standard Mount Head w / protection
Clamping Type	Table Top	Table Top	Table Top	Table Top
Bead Loosening Type	Side Shovel	Side Shovel	Side Shovel	Side Shovel
Match Mounting Capable	Yes	No	No	No
Adjustable Clamping Height	Yes	No	No	No
Rim Diameter Range	12-30 in.	10-26 in. External 12-28 in. Internal	10-26 in. External 12-28 in. Internal	10-26 in. External 12-28 in. Internal
Maximum Tire Diameter	43.3 in.	46 in.	46 in.	46 in.
Maximum Wheel Width	14.3 in.	14 in.	14 in.	14 in.
Drive	7 and 17 rpm CW 7 rpm CCW	Electric: 10 rpm CW and CCW Air: 10 rpm CW, 5 rpm CCW	Electric: 10 rpm CW and CCW Air: 10 rpm CW, 5 rpm CCW	Electric: 10 rpm CW and CCW Air: 10 rpm CW, 5 rpm CCW

For more info: Contact your

Field Service Engineer or your Rotunda Area Sales Manager

1-800-ROTUNDA

www.OneRotunda.com

Because of continuing technological advancements, specifications, models and options are subject to change without notice.

Form 6736-T 10-13 Copyright © 2013, Hunter Engineering Company